

PC8(WT15) Industrial Pressure Sensor



- Piezoresistive silicon chip employed
- Perfect long term stability
- MEMS technology
- CE certificate
- Sensor diameter: 15mm

PC8(WT15) industrial pressure sensor is a standard and most popular sensor applied in air and liquid pressure measuring. A high sensitivity silicon pressure chip is employed in the sensor. The housing is filled with oil for pressure transmission. The most important specification for industry application is long term stability. The PC8(WT15) sensor is designed for industry application with perfect long term stability. It has a smaller diameter compared with PC10(WT19) pressure sensor.

Diaphragm and pressure range

The diaphragm diameter has tight relation with pressure measured. Low pressure requires large diameter and high pressure needs small diameter. This is caused by oil expansion during temperature changing. It creates internal pressure due to the resistance of the diaphragm. The smaller diaphragm will create large internal pressure, and it is difficult to make zero compensation.

Caution

Please do not touch the diaphragm by finger and other hard objects, or it may be damaged.

Pressure range

Pressure range	1MPa, 1.6MPa, 2.5MPa, 4MPa, 6MPa, 10MPa, 16MPa, 25MPa, 40MPa, 60MPa, 100MPa(bar and psi unit available)		
Pressure reference	Absolute pressure Sealed gauge pressure		
Overpressure	200%F.S.($<25\text{Mpa}$) 150%F.S.($\geq 25\text{Mpa}$)		

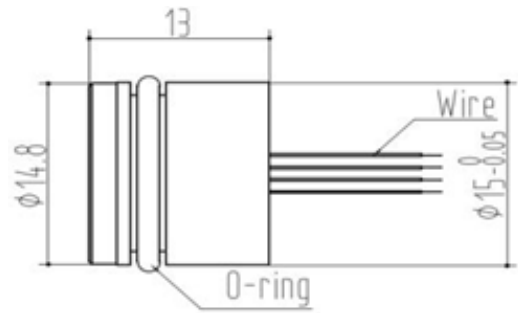
Output signal

Zero output	$\pm 2\text{mV}$		
Span output	100mV(Typical)		

Specification

Accuracy (linearity, repeatability and hysteresis)	$\pm 0.25\% \text{F.S. (Typical)}$		
Excitation	1.5mA (Typical)		
Compensated temp.	$-10-70^{\circ}\text{C}$ (Typical)		
Operating temp.	$-40-125^{\circ}\text{C}$		
Storage temp.	$-40-125^{\circ}\text{C}$		
Zero temp. coefficient	$0.02\% \text{F.S./}^{\circ}\text{C}$		
Span temp. coefficient	$0.02\% \text{F.S./}^{\circ}\text{C}$		
Insulation resistance	$> 200\text{Mohm}/250\text{VDC}$		
Bridge resistance	Min.	Max.	Unit
	2600	5500	ohm
Long term stability	$\leq 0.2\% \text{F.S./year}$		
Vibration	20g (20-5000HZ)		
Oil filling	Silicon oil (Typical) Olive oil available for sanitary application		
O-ring	NBR, Viton		
Housing and diaphragm	Stainless steel 316L		
Wire connection	4 wire (typical) 5 wire (available) $39 \times \phi 0.015$, Silicon shielded, 200°C bearing		
Pin connection	Kovar pin (0.6um Gold plated)		
Weight	25g(approx)		

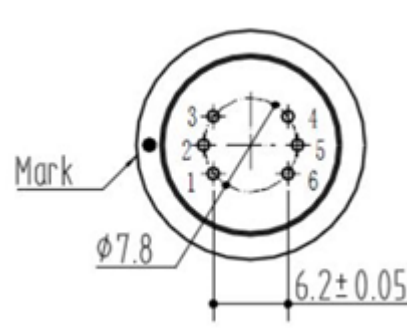
Wire connection



In mm

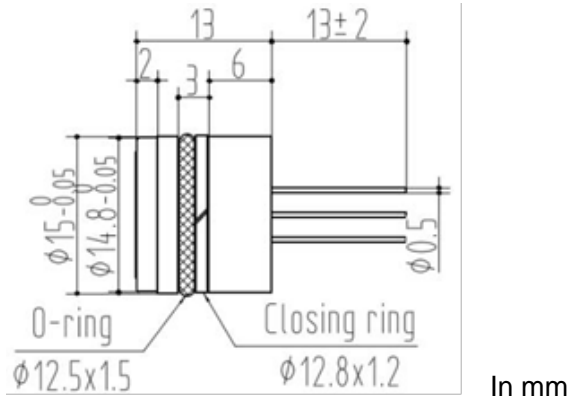
Wire	Connection
red	excitation+
blue	excitation-
yellow	output+
white	output-

Pin connection



Without temperature compensation

Pin	Connection
3	excitation+
1 or 6	excitation-
5	pending
2	output+
4	output-



Pin	Connection
3	excitation+
5	excitation-
1,6	pending
2	output+
4	output-

How to order

PC8(WT15) XX-XX-XX-XX

Pressure range

Please write directly

Pressure reference

A: absolute pressure

S: sealed gauge pressure

Electrical Connection

W: wire connection

P: pin connection

Excitation

C1: 1.5mA

C2 : others (please specify)

Wotian reserves the right to make changes to any product in this publication without notice. The information we supply is believed to be accurate and reliable as of this printing.

Contact us

Nanjing Wotian Technology Co.,Ltd.

Add: 5 Wenyong Road, Binjiang Development Zone, Nanjing, 211161, China

Sales Manager: Wuzhou Lian

MP: 0086-13998828452

Email: lianwuzhou@wtsensorus.com

American Company

Wotian Sensor Corporation

Sales Manager: Geoffery Gao

MP: 001- 626 808 1707

E-mail: geoffery@wtsensorus.com

German Company

Wotian Sensor GmbH

Sales Manager: Frances

E-mail: frances@wtsensorus.com

Anshan Wotian Sensor Corp. (Branch Factory)

Add: 262, Yueling Road, Gaoxin District, Anshan, China

Sales Manager: Wuzhou Lian

MP: 0086-13998828452

Email: lianwuzhou@wtsensorus.com

Korean Company

Korea Wotian Technology Co., Ltd.

Sales Manager: Yinji An

MP: 0086- 13478122009

E-mail: anyinji@wtsensorus.com